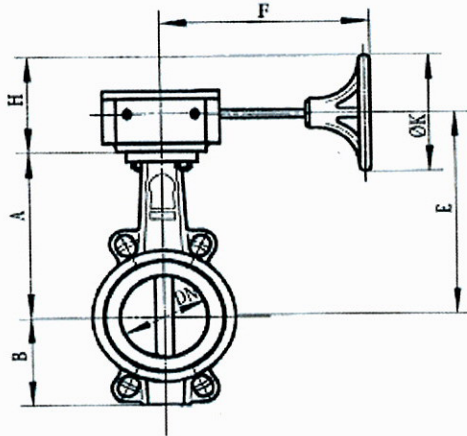


AFA[®] BW-WAFER TYPE BUTTERFLY VALVE (WORM GEAR OPERATED)

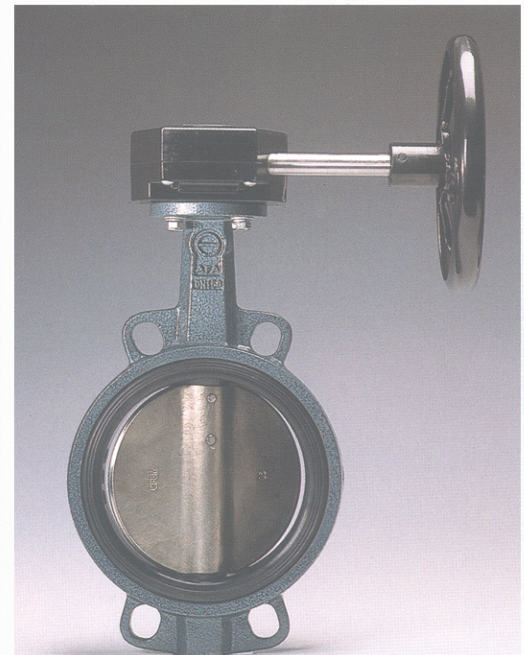


S/NO	PART NAME	MATERIAL
1	Body	Cast Iron Ductile Iron
2	Disc	AISI 316 /304 Ductile Iron (Nickel Plated) Al. Bronze
3	Liner	NBR / EPDM

Other materials are available on request.

Operating Conditions	
Operating Pressure	16 Bar - DN40 to DN300 10 Bar - DN350 to DN1000
Operating Temperature	130 Deg C
Applicable Fluids	Water, Warm Water, Sea Water & Air
Flanges Standard	DIN NP10/16 BS PN10/16 ANSI 150 LBS JIS 5K / JIS 10K

NOMINAL PIPE SIZE (DN)		A	B	ØC	D	E	F	G	H	ØK
MM	INS	MM	MM	MM	MM	MM	MM	MM	MM	MM
25	1	121	53	65	33	162	156	45	116	150
32	1¼	121	57	73	33	162	156	45	116	150
40	1½	130	61	82	33	171	156	45	116	150
50	2	136.5	77	95	43	177.5	156	45	116	150
65	2½	142	87.5	109	46	183	156	45	116	150
80	3	158	95	127	46	199	156	45	116	150
100	4	180	107	152	52	221	156	45	116	150
125	5	192	121.5	180	56	233	156	45	166	250
150	6	215	144	207	56	256	156	45	166	250
200	8	241.5	171	260	60	284	241	63	192.5	300
250	10	280	205	315	68	319.5	223	78	189.5	300
300	12	310	235	370	78	349.5	223	78	189.5	300
350	14	337	258.5	418	78	376.5	223	78	189.5	300
400	16	357.3	303.3	470	102	415.2	270	120	207.9	300
450	18	380	365	525	114	437.9	270	120	257.5	400
500	20	426.3	392	575	127	497.8	339	120	221.5	300
600	24	616.5	513.5	693	154	688	339	120	221.5	300
700	28	629	539	800	165	705	357	243	381.5	435
750	30	647.7	525.3	850.9	167	725.7	357	243	381.5	435
800	32	666	608	906	190	742	357	243	381.5	435
900	36	722	667	1015	205	854	410	278	475.5	435
1000	40	800	732	1134	218	932	410	278	475.5	435

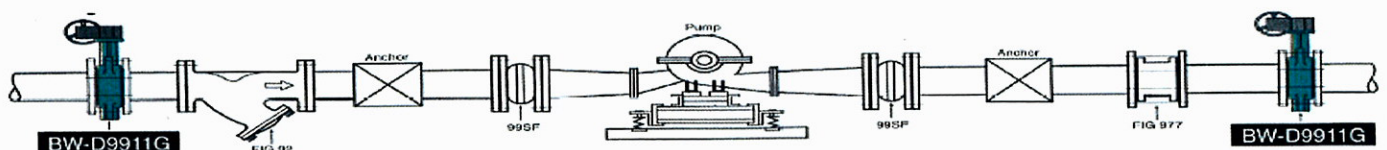


General Description

AFA wafer type butterfly valve are designed for installation between flanges drilled in accordance with DIN, ANSI, JIS & BS standard and with the worm gear operation. The valve's liner and disc are replaceable and available in various materials for media compatibles. The actuator flange comply to ISO 5211.

AFA wafer type butterfly valves are suitable for use with water, warm water, hot water, sea water, air, steam. Typical application include MVAC/Fire Protection/Plumbing/Cooling/Heating Systems/Water Work/Sewage Work/Marine/Shipbuilding & OffShore.

- * For other kinds of applicable fluids except the above, to which the butterfly valve becomes applicable, please kindly consult your supplier or manufacturer.
- Ordering the various kinds of AFA butterfly valve, please refer to Order Code for detail.



A New Era In Total Solution